



ASG Series

Ø86mm Warning Signal Lights

- Incandescent or Xenon type
- Smooth Lens for Rotating Lights and Prism Lens for Flashing/Strobe Lights
- Stud mount
- Optional Wall Mounting Brackets available



Ordering Information

ASG B - 01 - R
 ① ② ③

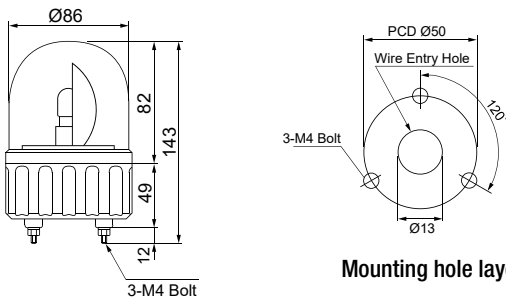
① Light Style	no mark	Rotating	
	B	Rotating w/Alarm	
	F	Steady & Flashing	
	S	Strobe w/Xenon bulb	
② Power Supply	Rotating	01	12V AC/DC
		02	24V AC/DC
		FF	110/220V AC
	Steady & Flashing	01	12V AC/DC
		02	24V AC/DC
		10	110V AC
		20	220V AC
	Strobe	10	110V AC
		20	220V AC
③ Lens Colors	R	Red	
	Y	Yellow	
	G	Green	
	B	Blue	

Specifications

Model	ASG/ASGB	ASGF	ASGS	
Lighting type	Incandescent		Xenon	
Power Supply	12V AC/DC 24V AC/DC 110/220VAC	12V AC/DC 24V AC/DC 110VAC, 220VAC	110VAC 220VAC	
Current Draw & Wattage	12VDC	0.67A, 8W		
	24VDC	0.33A, 8W		
	110/220VAC	0.4A, 5W	N/A	N/A
	110VAC	N/A	0.07A, 8W	0.22A, 6W
	220VAC	N/A	0.03A, 8W	0.11A, 6W
Alarm Sound Level	80±5 dB	N/A		
Rotation Rate	130±10 RPM	N/A		
Flashing rate	N/A	80 ±10 flashes/min		
Ambient Temperature	-15~40°C			
Storage Temperature	-25~70°C			
Ambient Humidity	45 ~ 85% RH			
Degree of Protection	IP42			
Recommended Wire Size	AC 110/220V : VSF / 0.75mm ² (Power supply wire only)			
	AC/DC 12/24V : UL1007 22AWG	N/A		
Certificate/Compliance	RoHS, CE			

Dimensions

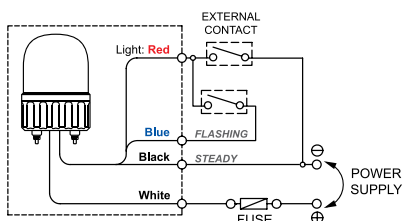
unit: mm



Replacement Parts

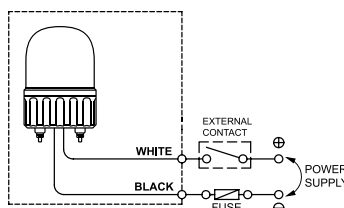
Lens	LENS-ASG-(□)	Smooth Lens for Rotating Lights
	LENS-ASGF-(□)	Prism Lens for Flashing/Strobe Lights
(□): indicates color of Lens; R, Y, G or B		
Bulb	MAB-T15-S-012-08	12V DC, 8 Watt
	MAB-T15-S-024-08	24V DC, 8 Watt
	MAB-T15-S-130-08	110V AC, 8 Watt
	MAB-T15-S-240-08	220V AC, 8 Watt
Xenon Bulb	MAB-STROBE-110-06	110/220V AC, 6 Watt

Wiring Diagram



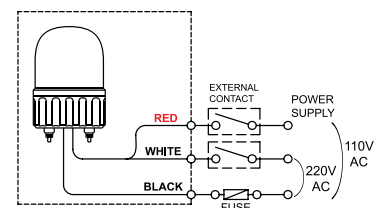
DC & AC Steady & Flashing Lights

ASGF-01-□ ASGF-10-□
 ASGF-02-□ ASGF-20-□



DC Rotating Lights

ASG-01-□ ASGB-01-□
 ASG-02-□ ASGB-02-□



AC Rotating & Strobe Lights

ASG-FF-□ ASGS-10-□
 ASGB-FF-□ ASGS-20-□